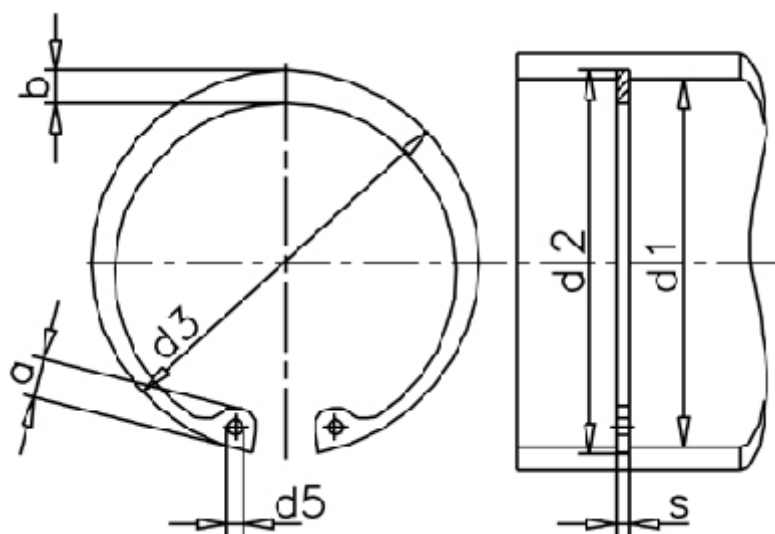


Article number: 01020472

Description: Retaining ring J30 DIN472
Phosphorized bronze 311

Measures



a max	= 4.8	FN kN	= 11.30	t	= 0.70
AN mm ²	= 67.5	FRg kN	= 4.6	tol	= +0,25
b	= 3.0	FR kN	= 13.7	tol	= +0,50-0,25
d1	= 30	g	= 1.0	tol	= -0.06
d2	= 31.4	K kN-mm	= 26.6	Tong	= ZGJ-2
d3	= 32.10	m min	= 1.30	Weight kg/1000	= 2.06
d5 min	= 2.0	Nominal drive	= 2.1		
Description = J 30		s	= 1.20		